

Charles Carré

SOFAS

2024

Antonio Citterio



Description

In the spirit of revamping the icons of our heritage collection, the Charles family is now adorned with a carré pattern that is carefully and wisely crafted with a very refined technique. The particular checkered workmanship of the seat cushion cover is particularly elaborate: the cutting of the upper surface of the carré cushions is carried out for each single square which is numbered during the cutting phase for identification and reassembled during the sewing phase where it is coupled with a textile ribbon (in the case of fabric) or with a leather profile (in the case of leather upholstery) first on the short sides (checkered/ribbon/checkered) and then on the long sides.

Technical information

Internal frame

tubular steel and steel profiles

Internal frame upholstery

Bayfit® flexible cold shaped polyurethane foam, polyester fibre cover

Internal frame upholstery (CHP_Q-CH150P_Q)

shaped polyurethane of different density, polyester fibre cover

Seat cushion upholstery (home)

shaped polyurethane of different density, sterilized down, polyester fibre cover

Seat cushion upholstery (public spaces)

shaped polyurethane of different density, polyester fibre, polyester fibre cover

Back cushion (CH48_C-CH72_C)

polyester fibre, cotton cover, box style typology

Feet

die-cast aluminium

Ferrules

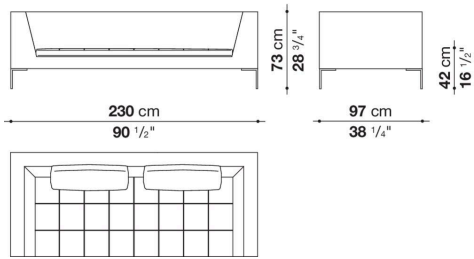
thermoplastic material

Cover

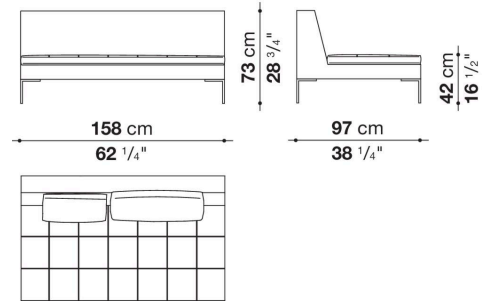
fabric or leather (grosgrain ribbon)

Technical drawings

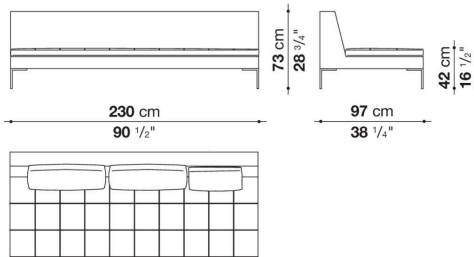
CH228_Q



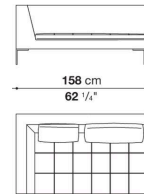
CH156C_Q



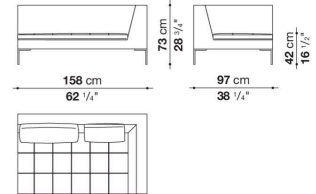
CH228C_Q



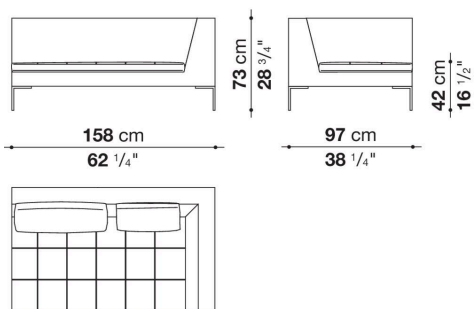
CH156S_Q



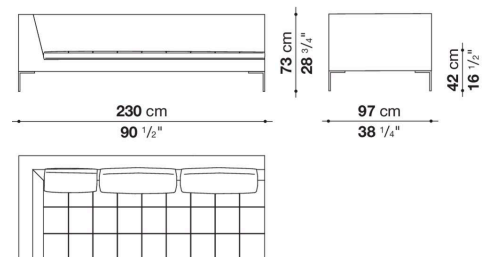
CH156D_Q



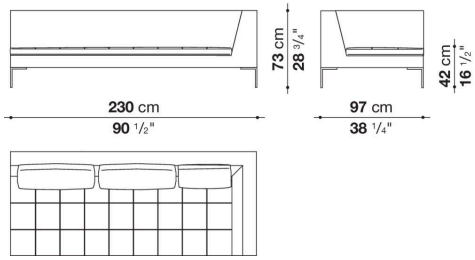
CH156D_Q



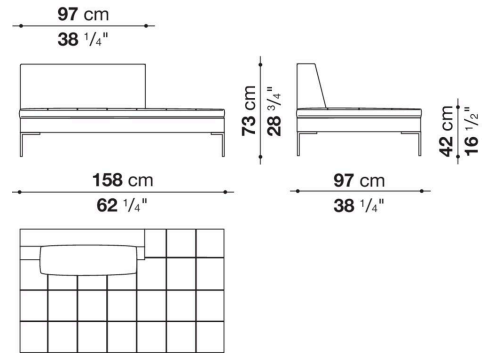
CH228S_Q



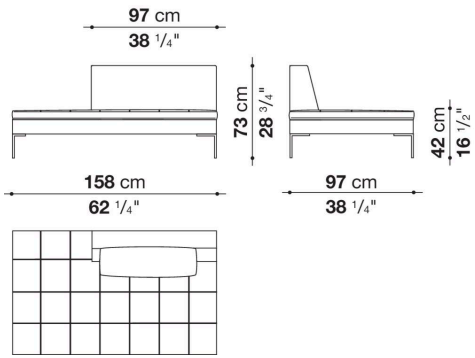
CH228D_Q



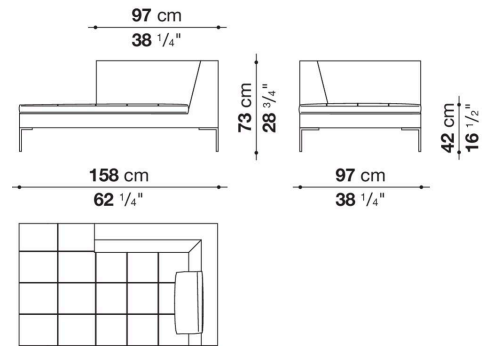
CH156TPS_Q



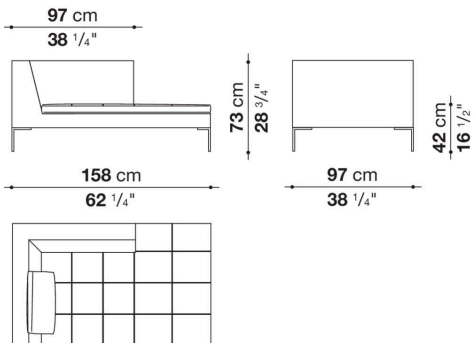
CH156TPD_Q



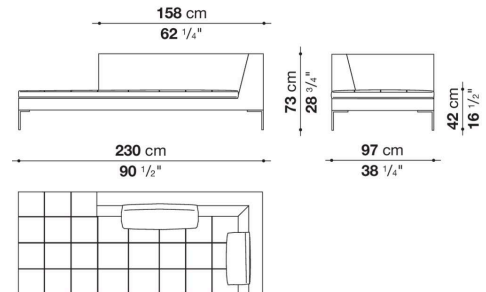
CH156LS_Q



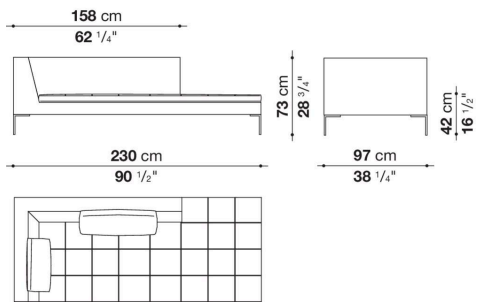
CH156LD_Q



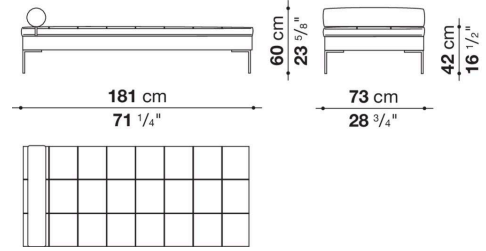
CH228LS_Q



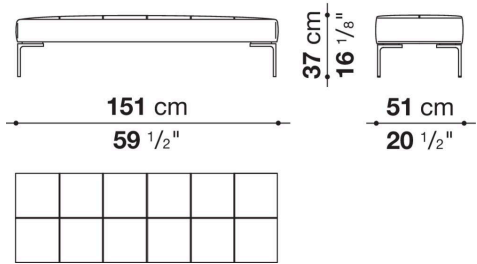
CH228LD_Q



CH180L_Q



CH150P_Q



CHP_Q

