

Vincent Van Duysen reinterprets the recessed handle detail in a modern and sophisticated key, working on the contrast between the slim side and end units and the considerable thickness of the worktops, which fit in, interrupting the linearity of the worktop, with stone sink bowls. The alternating materials and the interplay of solids and voids give rise to a dynamic and at once sophisticated kitchen. Generous pull-out trays, open-ended drawers and under-top trolleys complete the project. An aluminum load-bearing structure allows compositions completely suspended from the floor.



FINISHES

VVD island
Slate structure, Ferrovia steel doors. Ceppo stone top th.60
With external sink w.1200. Graphite oak pull-out drawers,
Pewter metal lacquered. Side panels. Pewter horizontal
finger recess and skirting h.60. Graphite oak snack with
pewter support. Trolley with pewter structure and Graphite
oak drawers
VVD_wall composition
Slate structure, Lead matt lacquered column doors. Lead
matt lacquered extension unit doors. Ferrovia steel base
unit doors. Ceppo stone top th.60 and backsplash h.200
Pewter metal lacquered Side panels. Pewter finger recess
and skirting h.60.



PLUSES

- Design by Vincent Van Duysen
- Strong architectural imprint
- Design uniqueness and recognizability
- Ergonomic finger recess opening
- Exclusive dedicated finishes
- Hi quality technical features
- Drawers electrical opening as optional
- Base cabinets available in 3 different depths
- External VVD sink
- Dedicated accessories

VVD

Finger recess opening kitchen



H. unit structure = 828 mm

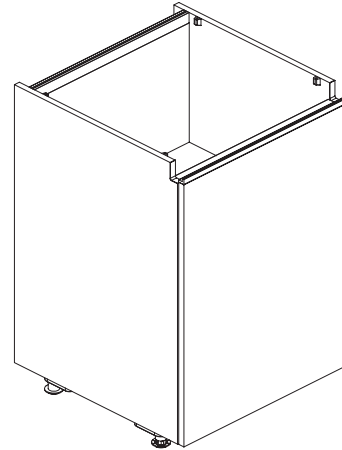
H. door = 797 mm

H. kitchen with 60 mm skirting = 888 mm

H. kitchen with 100 mm skirting = 928 mm

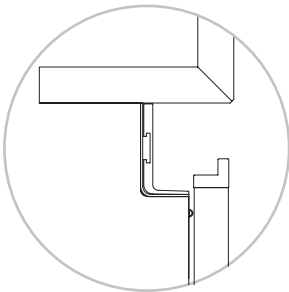
door th 19 mm

D. Base = 331-595-745mm

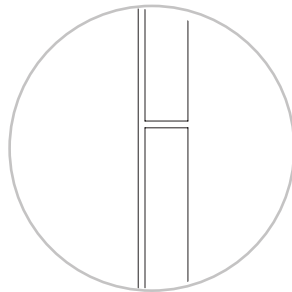


Horizontal finger recesses are used to open doors, drawers and pan drawers without handles. The mechanical or electric push-pull opening allows to open the lower and intermediate drawers and pan drawers. Available finishes are Titan, Pewter, Bronze or matt lacquer in range colours.

A
First front opening on top



B
Option with finger recess



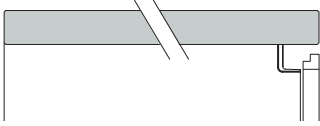
*VVD is not available with intermediate finger recesses



VVD

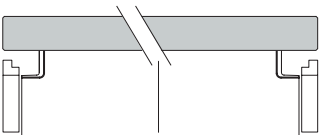
Worktop

Door th 19 mm



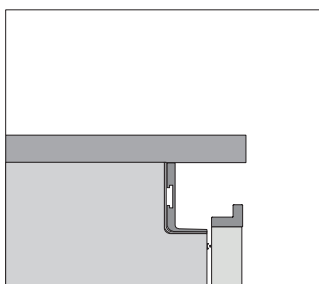
Wall composition

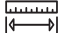
structure	worktop
331	356
595	620
745	770



Island composition

structure	worktop
595	645
745	745
331 + 595	976
331 + 745	1126
595 + 595	1240

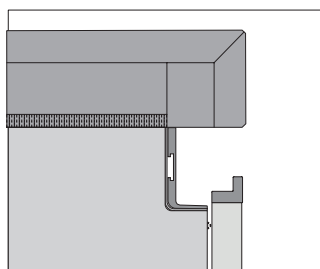


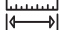
 th 20 mm | sp 20 mm



FINISHES

Laminate
Fenix®
Stones
Silestone
Dekton
Cartapietra
Corian®
Steel



 th 60 mm | sp 60 mm



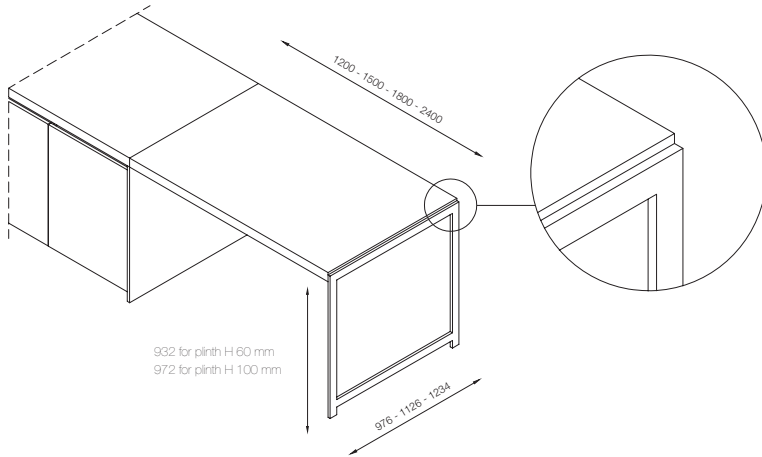
FINISHES

Stones

VVD

Snack— th 60 mm

Snack top 60 mm thick with honeycomb core veneered in wood finish. The snack top sets laterally to 60 mm thick worktops and finished side panels of island base units, supported with a metal structure available in metallic lacquer in pewter/titan/bronze.



WORKTOP FINISHES
Woods

SNACK VVD SUPPORT FINISHES
Pewter aluminium
Titan aluminium
Bronze



VVD trolley

1. VVD Trolley
2. Open container for VVD trolley
3. Structural under-top side panel th. 16 mm
4. Additional end panel th. 16 mm
5. Skirting (H 60 / 100 mm)
6. Worktop available th. 20 / 60 mm



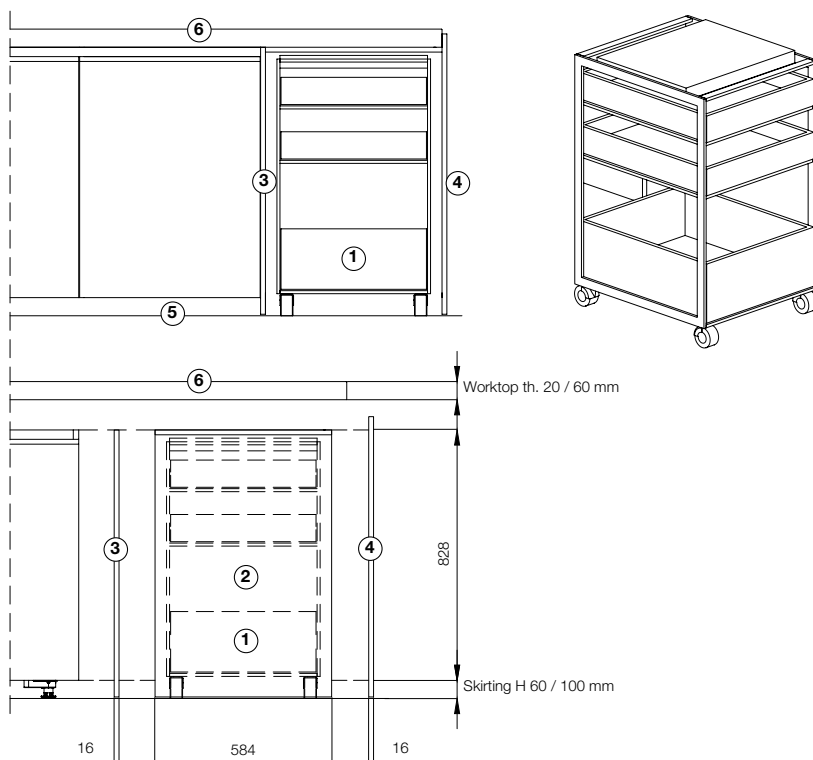
WORKTOP FINISHES
Slatted maple

STRUCTURE FINISH
Pewter/titan special metal lacquer

TRAYS FINISHES
Woods



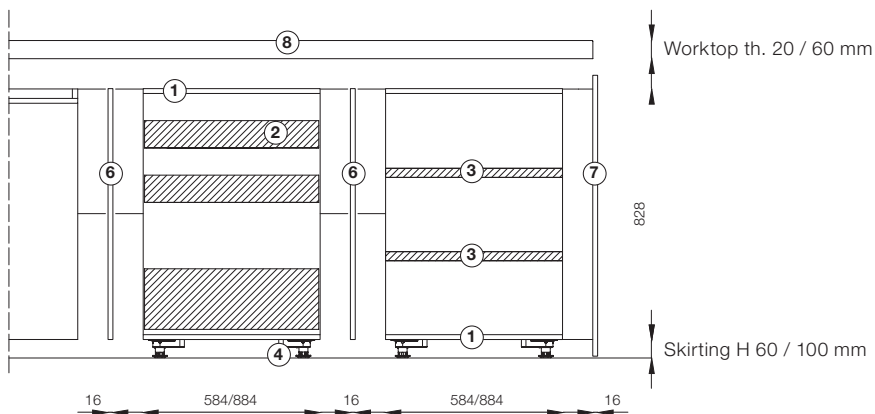
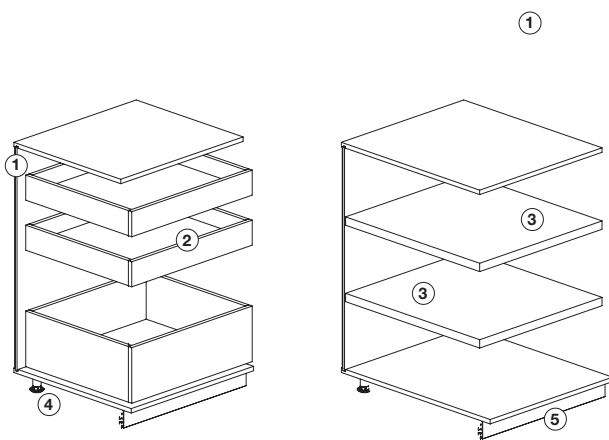
DIMENSIONS
510X580 X H 850 mm



VVD

Open base units

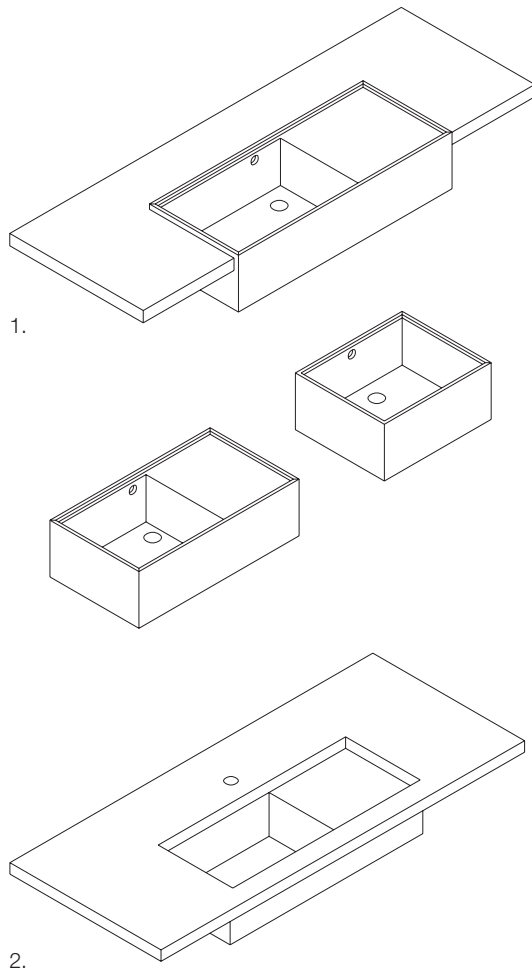
1. Shell in the same finish
2. Pull-out drawers and pan drawers in the same finish
3. Fixed shelf
4. Adjustable feet
5. Skirting (H 60 / 100 mm)
6. Structural under-top side for VVD base units, th.16 mm
7. Additional end panel for VVD base units, th. 16 mm
8. Worktop available th. 20 / 60 mm



VVD

Special sink

VVD sink are available in natural stones and granites, in the colours of the range. It is available in external and under-top version. Also applies to the other finger recess opening kitchens.



FINISHES

Natural stones
Granites



DIMENSIONS

External sink flush with the top
For widths 900 and 1200 mm, one 300 mm drip off tray is included.

Under-top sink
Lavello sotto-top
L 400/600/700/900
x P 400 x H 250 mm

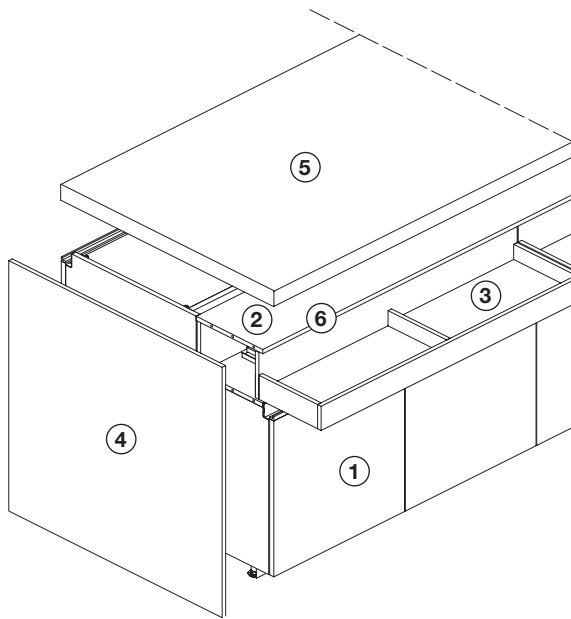
For widths 700 and 900 mm, one 300 mm drip off tray is included.



VVD

VVD Pull-out under-top trays

1. Pull-out tray base unit | Base per vassoio estraibile
2. Pull-out tray container | Contenitore per vassoio estraibile
3. Pull-out tray | Vassoio estraibile
4. Additional end panel | Pannello terminale aggiuntivo
5. Worktops | Top
6. Pull-out tray container lighting
Illuminazione contenitore vassoi estraibili



Compositions



FINISHES

VVD_ISLAND

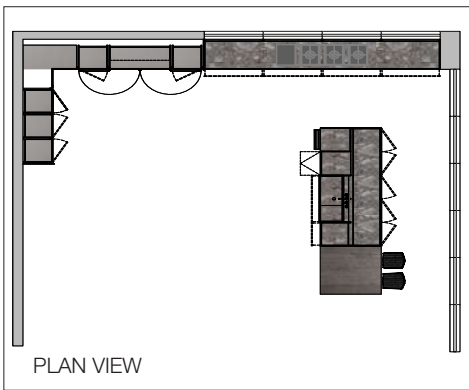
- Slate structure
- Ferrovia steel doors
- Ceppo stone top th.60 With external Sink w.1200 Same finish
- Graphite oak pull-out drawers
- Pewter metal lacq. Side panels
- Pewter horizontal finger recess
- Pewter skirting h.60
- Graphite oak snack with pewter support
- Black ash painted "woody" stools
- Trolley with pewter structure and Graphite oak drawers
- All base units with internal led lights

VVD_WALL COMPOSITION

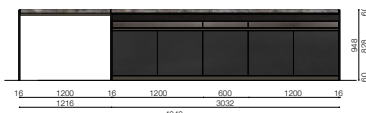
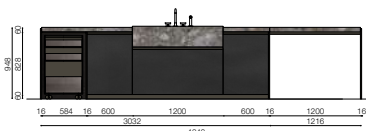
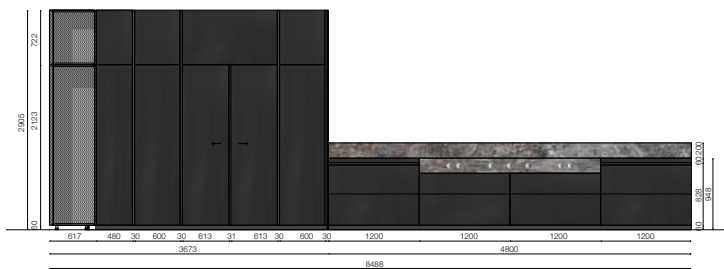
- Slate structure
- Lead matt lacq. Column doors
- Lead matt lacq. Extension unit doors
- Ferrovia steel base unit doors
- Ceppo stone top th.60
- Ceppo stone backsplash h.200
- Pewter metal lacq. Side panels
- Pewter finger recess
- Pewter skirting h.60
- All base units with internal led lights

PIVOT COLUMN

- Slate structure
- Lead matt lacq. Doors
- Pewter vertical handles profile
- Graphite oak internal drawers
- Graphite oak lighting shelves
- Lid led light
- Integrated socket
- Pewter skirting h.60
- Light sensor



FRONT VIEW



DOWNLOAD THE 2D/3D FILES

Compositions



VVD_ISLAND

- Slate structure
- Nebula steel doors
- Travertino titan marble top th.60
- Thermo oak pull-out drawers
- Pewter metal lacq. Side panels
- Pewter horizontal finger recess
- Pewter skirting h.60
- Suspended vvd hood
- Thermo oak snack with pewter support
- Trolley with pewter structure and
- Thermo oak drawers
- All base units with internal led lights

SUSPENDED VVD HOOD

- Pewter support
- Pewter hood
- Thermo oak shelves
- Led light integrated

VVD_WALL COMPOSITION

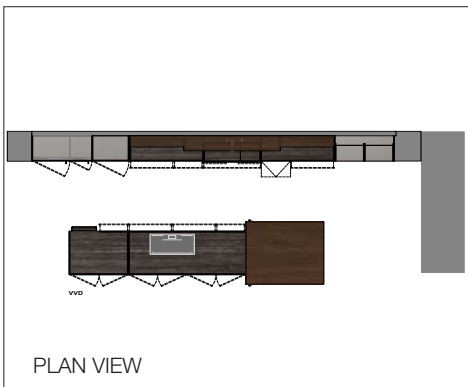
- Slate structure
- Thermo oak column doors
- Thermo oak "equiped open columns"
- Thermo oak side panels
- Thermo oak extension unit doors
- Nebula steel base unit doors
- Travertino titan marble top th.60 With
- External sink w.1200 Same finish
- Travertino titan marble backsplash
- "Sistema 7" gkass wall unit
- Thermo oak lighting shelves th.36
- Pewter finger recess
- Pewter skirting h.60
- All base units with internal led lights

EQUIPED OPEN COLUMN

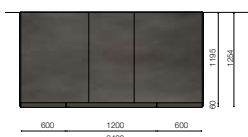
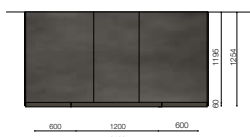
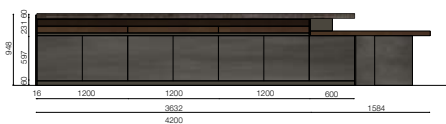
- Thermo oak structure
- Thermo oak side panels
- N.4 Clear glass shelves
- N.2 Thermo oak shelves
- Black lacq. Bottom rack
- Black lacq. Glass holder
- Led light on both sides

SISTEMA 7 WALL UNIT

- Thermo oak structure
- Clear glass doors with pewter frame
- Thermo oak internal drawers
- Led light on all sides



FRONT VIEW



DOWNLOAD THE 2D/3D FILES

VVD

Compositions



FINISHES

VVD_WASHING ISLAND

Slate structure
Walnut base unit doors
Green porphyry top th.60
Pewter metal lacq. Side panels
Pewter horizontal finger recess
Pewter load-bearing structure
All base units with internal led lights

OPEN UNIT

Pewter metal lacq. Side panels
Walnut shelves

VVD_COOKING ISLAND

Slate structure
Walnut base unit doors
Green porphyry top th.60
Pewter metal lacq. Side panels
Pewter horizontal finger recess
Pewter load-bearing structure
All base units with internal led lights

OPEN UNIT

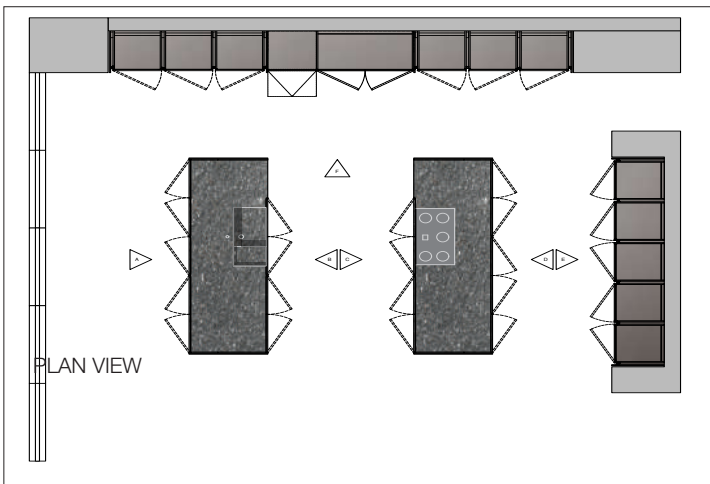
Pewter metal lacq. Side panels
Walnut shelves

VVD_WALL COMPOSITION

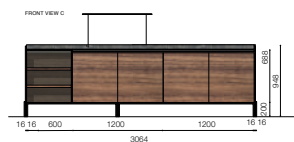
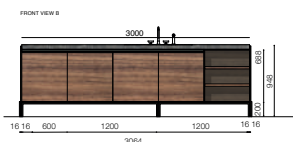
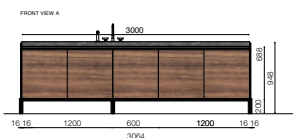
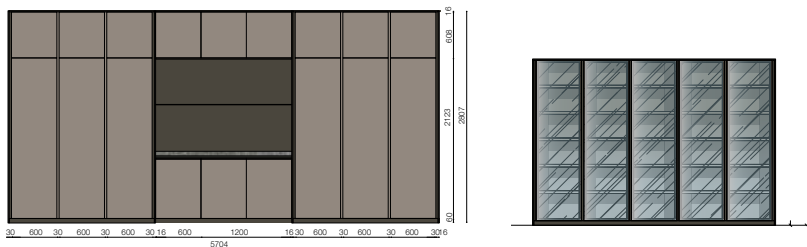
Slate structure
Matt lacq. Clay doors
Green porphyry niche backsplash
Green porphyry niche backsplash
Pewter metal lacq. Side panels
Pewter horizontal and vertical finger recess
Pewter skirting h.60
All base units with internal led lights

VVD_GLASS COLUMNS

Slate structure
Clear glass with pewter frame doors
Walnut shelves
Led light on both sides



FRONT VIEW



DOWNLOAD THE 2D/3D FILES

Modularity

MODULE	LENGTH	HEIGHT	DEPTH	DOOR THICKNESS	DOOR THICKNESS WITH HANDLE
ON FLOOR BASES	300 450 600 900 1200	828	331 595 745	19	
SUSPENDED BASES		688			

Door finishes

LX FENIX® NTM | PRICE RANGE 4

KOS WHITE	MALÉ WHITE	LUXOR BEIGE	SILK CHALK WHITE	SILK SILICA	SILK DOVE GREY
EFESO GREY	INGO BLACK	ARIZONA BEIGE	WHITE	LIGHT GREY	TASMANIA
OTTAWA CASTORO	ANTRIM GREY	LONDON GREY	PLASTER ANTHRACITE	LX FENIX® NTA PRICE RANGE 7	
BROMO GREY				ACCIAIO HAMILTON (NTA)	

LP LAMINATES | PRICE RANGE 2

ES WOODS | PRICE RANGE 6

LIGHT OAK	WALNUT	EUCALYPTUS
GRAPHITE OAK	GREY OAK	DARK WALNUT
BLACK OAK	THERMO OAK	LIGHT ELM
DARK ELM		

LO, LL, LE LACQUERED | PRICE RANGE 5/7/8

WHITE	CHALK WHITE	PEARL
SILICA	SAND	DUNE
LIGHT GREY	DOVE GREY	PLATINUM
CLAY	DOLOMITE	LEAD
MOKA	LIGHT BLUE GREY	MUSTARD
ANTHRACITE	BLACK	COPPER
LONDON SKY	STARDUST	MOONLIGHT
GOLD	TITAN	PEWTER
BRONZE	SPICE	

ES WOODS | PRICE RANGE 7

DARK PALM

IX METALS | PRICE RANGE 10

FERROVIA STEEL	NEBULA STEEL
----------------	--------------

LS SPECIAL LACQUERED | PRICE RANGE 6

GOLD	TITAN	PEWTER
BRONZE		

FERROVIA AND NEBULA STEEL

These steel surfaces cover a chipboard panel, 19 mm thick.

- The steel coating covers the external part and the edges, following the characteristic design of the VVD model.
- The door interior is in slate laminate and all corners are welded. A particular powder coated finish produces a "cloudy" effect on the outer surfaces to make each door dynamic and unique.

LSH SPECIAL LACQUERED | PRICE RANGE 7

METAL HYBRID BRONZE	METAL HYBRID SLATE
---------------------	--------------------